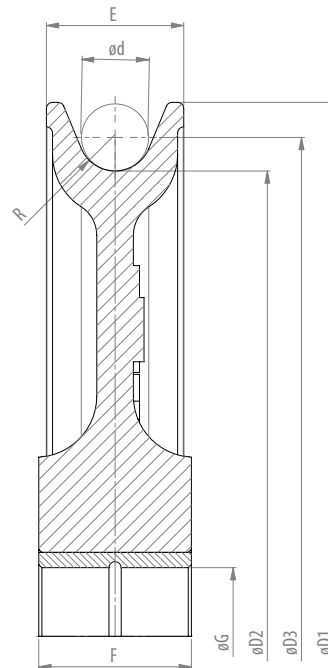


CAST SHEAVES, RIGGING >>

WITH BRONZE BUSHING



| Model Nr. | Dimensions (mm) | | | | | | | | Bearing | Weight (kg) |
|-------------------|-------------------|---------|---------|------------------|--------------|-----|--------------|------------------|---------|-------------|
| | Sheave tread ø | Shaft ø | Wire ød | Groove radius | Outside ø | PCD | Rim width | Bearing width | | |
| | øD2 | øG | d | R | øD1 | øD3 | E | F | | |
| SEF.80.15.20.4,5 | 80 | 15 | 8 | 4,5 | 100 | 88 | 18 | 20 | Bronze | 0,6 |
| SEF.105.22.27.5,5 | 105 | 22 | 10 | 5,5 | 125 | 115 | 23 | 27 | Bronze | 1,5 |
| SEF.120.30.40.6,5 | 120 | 30 | 12 | 6,5 | 150 | 132 | 36 | 40 | Bronze | 3 |
| SEF.165.30.40.7,5 | 165 | 30 | 14 | 7,5 | 200 | 179 | 36 | 40 | Bronze | 4,5 |
| SEF.195.60.60.12 | 195 | 60 | 22 | 12 | 250 | 217 | 50 | 60 | Bronze | 12 |
| SEF.210.35.45.9,5 | 210 | 35 | 18 | 9,5 | 250 | 228 | 40 | 45 | Bronze | 8 |
| SEF.240.80.62.15 | 240 | 80 | 28 | 15 | 300 | 268 | 58 | 62 | Bronze | 11,9 |
| SEF.250.50.60.8,5 | 250 | 50 | 16 | 8,5 | 300 | 266 | 45 | 60 | Bronze | 13,9 |
| SEF.250.70.60.13 | 250 | 70 | 24 | 13 | 300 | 274 | 55 | 60 | Bronze | 15 |
| SEF.255.40.50.11 | 255 | 40 | 20 | 11 | 300 | 275 | 45 | 50 | Bronze | 12 |
| SEF.300.80.62.17 | 300 | 80 | 32 | 17 | 365 | 332 | 58 | 62 | Bronze | 15,1 |
| SEF.300.80.62.15 | 300 | 80 | 28 | 15 | 365 | 328 | 58 | 62 | Bronze | 15,7 |
| SEF.305.45.50.12 | 305 | 45 | 22 | 12 | 350 | 327 | 45 | 50 | Bronze | 17 |
| SEF.305.50.50.12 | 305 | 50 | 22 | 12 | 350 | 327 | 45 | 50 | Bronze | 13,9 |
| SEF.305.70.75.14 | 305 | 70 | 26 | 14 | 350 | 331 | 70 | 75 | Bronze | 20 |
| SEF.345.50.65.13 | 345 | 50 | 24 | 13 | 400 | 369 | 55 | 65 | Bronze | 23,6 |
| SEF.345.50.60.13 | 345 | 50 | 24 | 13 | 400 | 369 | 55 | 60 | Bronze | 24 |
| SEF.345.55.65.13 | 345 | 55 | 24 | 13 | 400 | 369 | 55 | 65 | Bronze | 23,4 |
| SEF.345.60.60.13 | 345 | 60 | 24 | 13 | 400 | 369 | 55 | 60 | Bronze | 22,8 |
| SEF.345.60.70.16 | 345 | 60 | 30 | 16 | 400 | 375 | 55 | 70 | Bronze | 22,8 |
| SEF.345.60.70.15 | 345 | 60 | 28 | 15 | 400 | 373 | 55 | 70 | Bronze | 23 |
| SEF.345.70.70.16 | 345 | 70 | 30 | 16 | 400 | 375 | 55 | 70 | Bronze | 22,3 |



- Different shaft sizes possible.
- Groove may be adjusted to other wire rope diameters.



SEE OUR WARNING & SAFETY
INFORMATION

<< CAST SHEAVES, RIGGING

WITH BRONZE BUSHING

| Model Nr. | Dimensions (mm) | | | | | | | | Bearing | Weight (kg) |
|-----------------------|-------------------|---------|---------|------------------|--------------|------|--------------|------------------|---------|-------------|
| | Sheave tread ø | Shaft ø | Wire ød | Groove radius | Outside ø | PCD | Rim width | Bearing width | | |
| | øD2 | øG | d | R | øD1 | øD3 | E | F | | |
| SEF.345.70.70.15 | 345 | 70 | 28 | 15 | 400 | 373 | 55 | 70 | Bronze | 22,5 |
| SEF.345.80.80.19 | 345 | 80 | 36 | 19 | 400 | 381 | 70 | 80 | Bronze | 30 |
| SEF.345.80.80.17 | 345 | 80 | 32 | 17 | 400 | 377 | 70 | 80 | Bronze | 31 |
| SEF.345.80.80.15 | 345 | 80 | 28 | 15 | 400 | 373 | 75 | 80 | Bronze | 32 |
| SEF.390.55.70.15 | 390 | 55 | 28 | 15 | 450 | 418 | 60 | 70 | Bronze | 36 |
| SEF.390.60.70.16 | 390 | 60 | 28 | 16 | 450 | 418 | 60 | 70 | Bronze | 32 |
| SEF.390.70.70.16 | 390 | 70 | 30 | 16 | 450 | 420 | 60 | 70 | Bronze | 31 |
| SEF.390.70.70.15 | 390 | 70 | 28 | 15 | 450 | 418 | 60 | 70 | Bronze | 32 |
| SEF.390.80.80.20 | 390 | 80 | 38 | 20 | 450 | 428 | 70 | 80 | Bronze | 40 |
| SEF.390.80.80.19 | 390 | 80 | 36 | 19 | 450 | 426 | 70 | 80 | Bronze | 40 |
| SEF.390.80.80.17 | 390 | 80 | 32 | 17 | 450 | 422 | 70 | 80 | Bronze | 41 |
| SEF.390.80.85.19,5 | 390 | 80 | 37 | 19,5 | 450 | 427 | 75 | 85 | Bronze | 42 |
| SEF.390.80.85.17 | 390 | 80 | 32 | 17 | 450 | 422 | 75 | 85 | Bronze | 48 |
| SEF.390.90.85.19,5 | 390 | 90 | 37 | 19,5 | 450 | 427 | 75 | 85 | Bronze | 41 |
| SEF.430.60.80.16 | 430 | 60 | 30 | 16 | 500 | 460 | 70 | 80 | Bronze | 44 |
| SEF.430.80.80.20 | 430 | 80 | 38 | 20 | 495 | 468 | 70 | 80 | Bronze | 43 |
| SEF.430.80.80.17 | 430 | 80 | 32 | 17 | 495 | 462 | 70 | 80 | Bronze | 44 |
| SEF.430.100.80.20 | 430 | 100 | 38 | 20 | 495 | 468 | 70 | 80 | Bronze | 42 |
| SEF.430.100.80.17 | 430 | 100 | 32 | 17 | 495 | 462 | 70 | 80 | Bronze | 43 |
| SEF.430.100.100.19,5 | 430 | 100 | 37 | 19,5 | 500 | 467 | 90 | 100 | Bronze | 80 |
| SEF.480.70.80.18 | 480 | 70 | 34 | 18 | 550 | 514 | 70 | 80 | Bronze | 52 |
| SEF.480.120.120.21,5 | 480 | 120 | 40 | 21,5 | 550 | 520 | 100 | 120 | Bronze | 80 |
| SEF.520.80.105.19,5 | 520 | 80 | 37 | 19,5 | 600 | 557 | 85 | 105 | Bronze | 80 |
| SEF.520.120.90.27,5 | 520 | 120 | 52 | 27,5 | 595 | 572 | 80 | 90 | Bronze | 64 |
| SEF.520.120.80.17 | 520 | 120 | 32 | 17 | 595 | 552 | 70 | 80 | Bronze | 64 |
| SEF.520.120.90.23,5 | 520 | 120 | 44 | 23,5 | 595 | 564 | 80 | 90 | Bronze | 66 |
| SEF.520.120.90.20 | 520 | 120 | 38 | 20 | 595 | 558 | 80 | 90 | Bronze | 68 |
| SEF.560.100.110.20,5 | 560 | 100 | 39 | 20,5 | 665 | 599 | 100 | 110 | Bronze | 110 |
| SEF.630.120.110.21,5 | 630 | 120 | 40 | 21,5 | 710 | 670 | 85 | 110 | Bronze | 115 |
| SEF.710.150.130.23,5 | 710 | 150 | 44 | 23,5 | 810 | 754 | 98 | 130 | Bronze | 170 |
| SEF.800.150.150.22 | 800 | 150 | 44 | 22 | 920 | 844 | 130 | 150 | Bronze | 270 |
| SEF.920.160.150.22 | 920 | 160 | 41 | 22 | 1030 | 961 | 130 | 150 | Bronze | 380 |
| SEF.1020.180.160.24,5 | 1020 | 180 | 46 | 24,5 | 1160 | 1066 | 140 | 160 | Bronze | 540 |

- Different shaft sizes possible.
- Groove may be adjusted to other wire rope diameters.



SEE OUR WARNING & SAFETY
INFORMATION